

# Section 2: Manifestation of glazing

## Critical locations

2.1 Manifestation of glazing is only necessary in critical locations in which people moving in or about the building might not be aware of the presence of the glazing and may collide with it. "Critical locations" include large uninterrupted areas of transparent glazing which form, or are part of, the internal or external walls and doors of shops, showrooms, offices, factories, public or other non-domestic buildings.

2.2 The risk of collision is most severe when two parts of the building, or the building and its immediate surroundings, are essentially at the

same level but separated by transparent glazing and a person might reasonably have the impression that they are able to walk from one part to the other without interruption.

## Permanent manifestation of glazing

2.3 Permanent manifestation of large uninterrupted areas of transparent glazing is only necessary when other means of indicating the presence of the glazing are not used. These other means include mullions, transoms, door framing or large pull or push handles.

2.4 Where "manifestation" is necessary, it may take the form of broken or solid lines, patterns or company logos at appropriate heights and intervals see (Diagram 5).

2.5 Diagram 6 includes examples of a number of methods of indicating the presence of glazing.

## Alternative indications of glazing

2.6 Examples of installations of glazing which would not normally warrant "manifestation" include:

- door height transparent glazing less than 400mm in width;
- door height transparent glazing with a rail at a height of between 600mm and 1500mm above finished ground or floor level;
- a single pane glazed door with substantial framing; or
- a single pane glazed door which either is not framed or has very narrow framing, but is provided with large easily seen push or pull plates or handles.

Diagram 5 Height of "manifestation" of large areas of transparent glazing

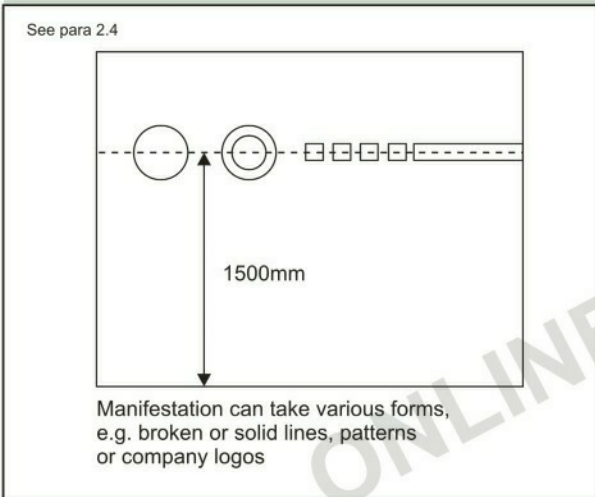


Diagram 6 Examples of door height glazing not warranting "manifestation"

